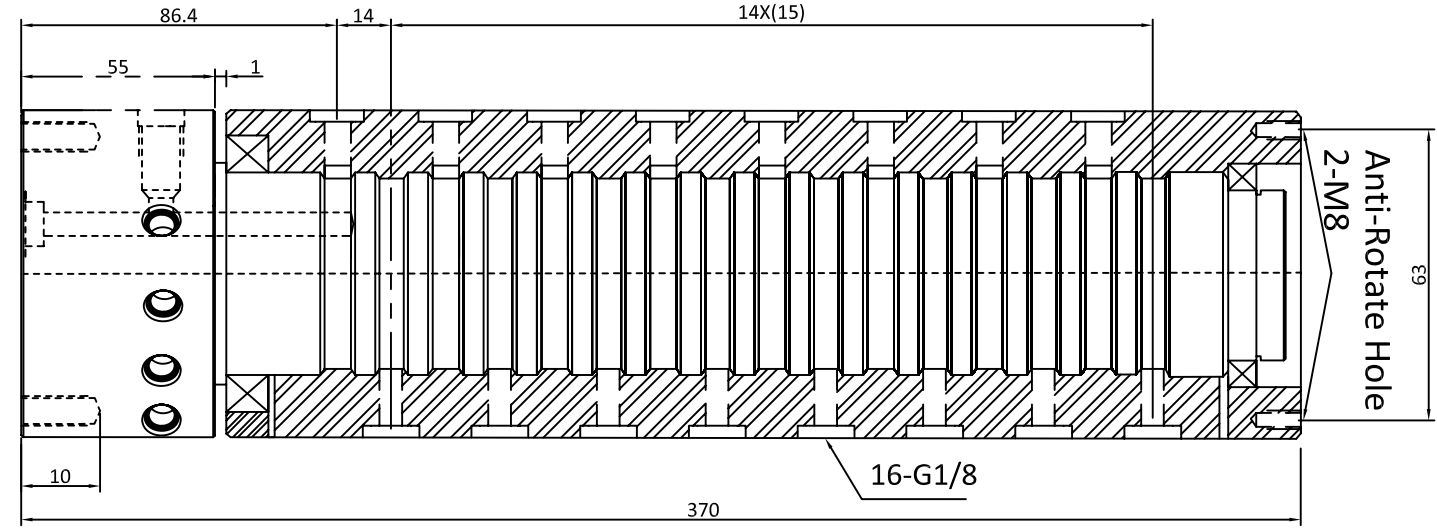
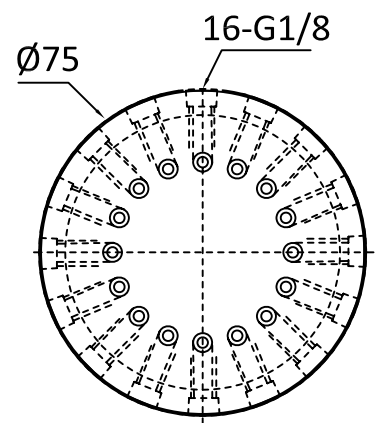
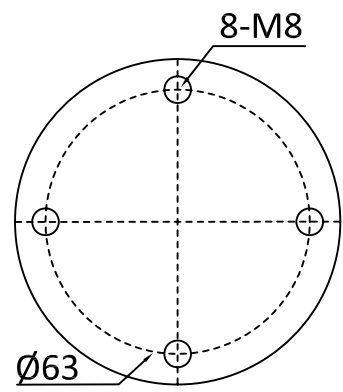
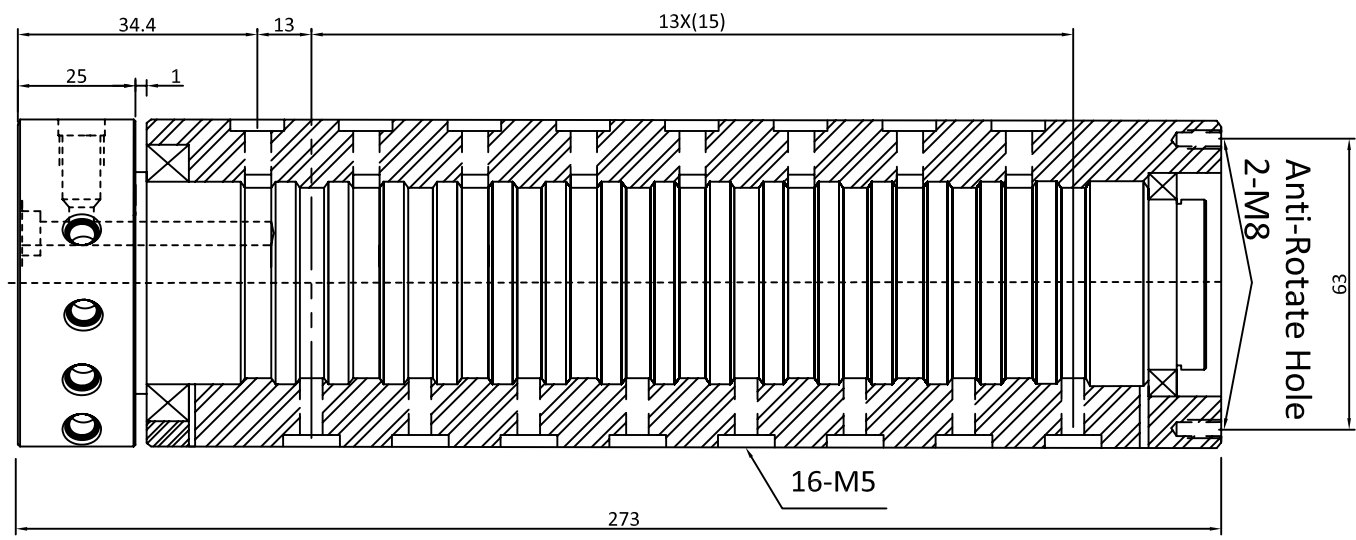
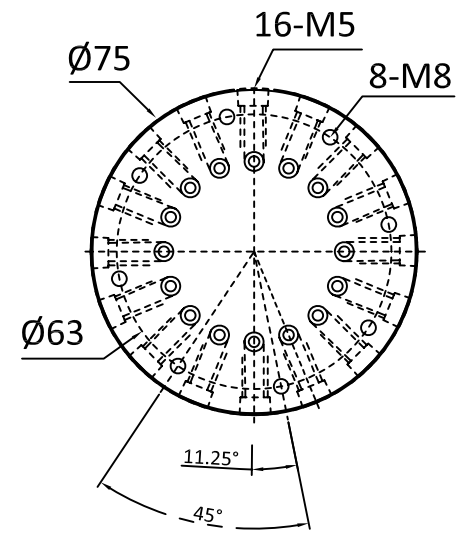


Projection



Rotor Side | Stator Side



Rotor Side | Stator Side

Working parameters:  
 Max.Speed: 600RPM  
 Max.pressure: 4500PSI  
 Temperature Range: 5°C to 200°C  
 Medium type :water  
 Materials :Stainless steel  
 Passage:2 Passage

1					<b>HIDNEY</b>	Drawing	Design	Audit	Approval		seals	Dynamic seal		
2											material	Stainless steel	name	rotay joint
3			Size range	Allow poor			Date of publication				bearing	High speed ball bearing	number	NO.ONE
4	Change content		Date				HIDNEY ELECTRONICS				weight		Model	

1

2

3

4

5

6